

GEETA
SERIES
PLUS+



MODERN
BUILDING SYSTEMS
(COMBINATION WINDOWS)

Since 1964

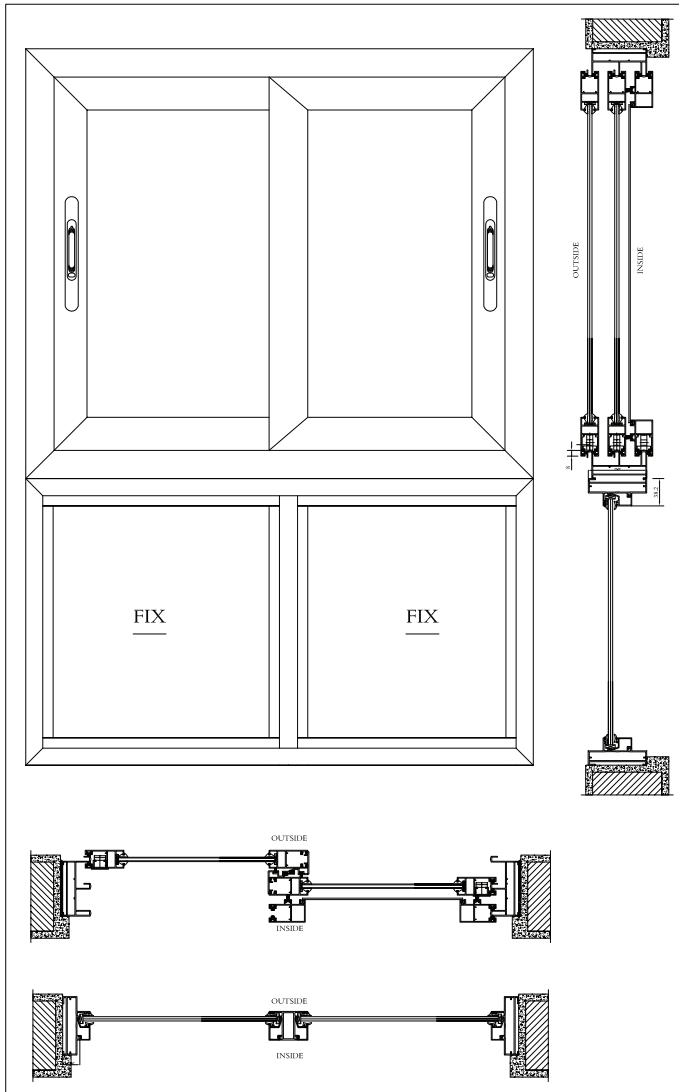


Total solution for the fenestration industry



www.geetaaluminium.com

ASSEMBLY



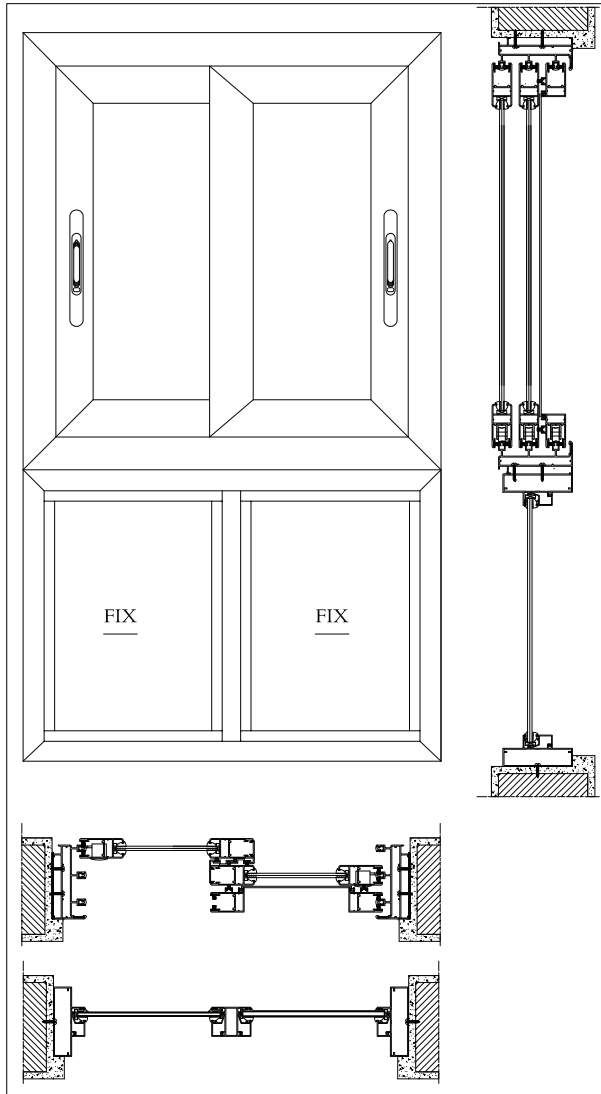
GEETA
SERIES
PLUS+

- Combination of Sliding & Fixed Window
- Available in 2track & 3track.
- Maximum shutter dimensions: 900x2000mm
- Maximum Glass Thickness – 5mm/6mm
- Shutter of Single Glass available.
- It can go up to 2KPA.
- Fly mesh can be installed.

SERIES SECTION

SR NO.	PROFILES DRAWING	CODE	DESCRIPTION	SR NO.	PROFILES DRAWING	CODE	DESCRIPTION
1.		G32554	3 TRACK	4.		Z40SGC	SINGLE GLASS CLIP
2.		GS2554	S.G. SHUTTER	5.		GF2554	80mm FIX FRAME
3.		GIW255	REGULAR INTERLOCK	6.		Z40OWS	MULLION

ASSEMBLY



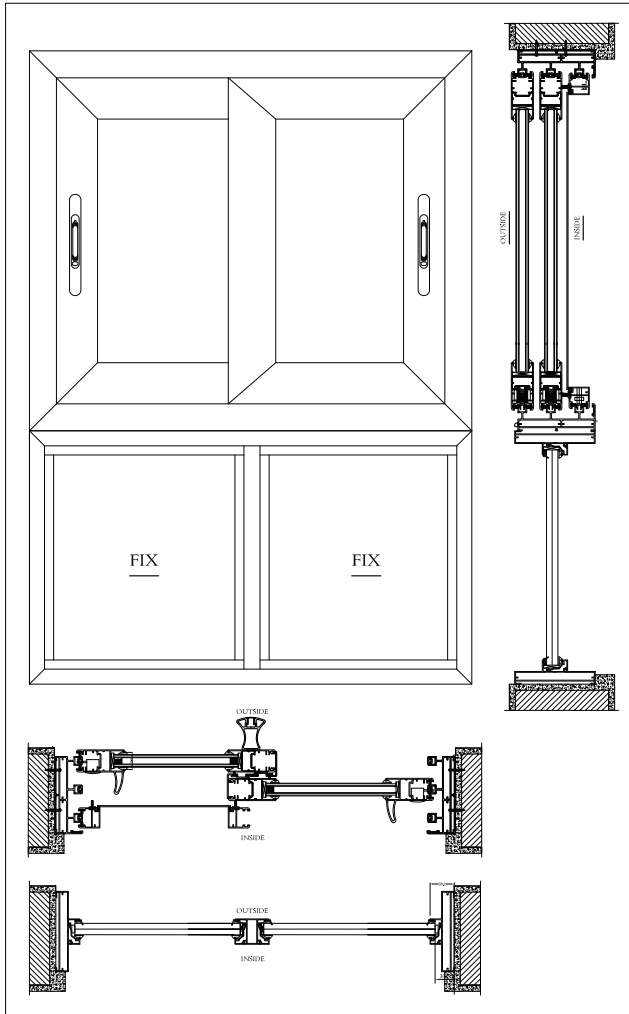
GEETA
SERIES
PLUS+

- Combination of Sliding & Fixed Window
- Maximum shutter dimensions: 1200x2200mm
- Maximum Glass Thickness - 18mm
- Shutter of Single and Double glass available.
- Flymesh can be installed.
- Single Point & Multi Point locking available.

SERIES SECTION

27mm ADDON SERIES WITH BOTTOM FIX							
SR NO.	PROFILES DRAWING	CODE	DESCRIPTION	SR NO.	PROFILES DRAWING	CODE	DESCRIPTION
1		G27A3T	ADDON 3 TRACK	5		Z40OWS	SHUTTER
2		GS2760	SINGLE GLASS SHUTTER	6		Z40SGC	SINGLE GLASS CLIP
3			FLY MESH SHUTTER	7		GF2760	95MM FIX FRAME
4		G27AOR	ADDON RAIL				

ASSEMBLY



- Combination of Sliding & Fixed Window
- Maximum shutter dimensions: 1500x2600mm
- Maximum Glass Thickness – 24mm
- Shutter of Single and Double Glass available.
- Flymesh can be installed.
- Single Point & Multi Point locking available.

SERIES SECTION

SR NO.	PROFILES DRAWING	CODE	DESCRIPTION	SR NO.	PROFILES DRAWING	CODE	DESCRIPTION
1.		G35A3T	3 TRACK	6.		GF3575	127 MM FIX FRAME
2.		G35KPH	D.G. SHUTTER	7.		Z400WS	MULLION
3.		GD357S	D.G. SHUTTER	8.		Z40DGC	DGS 18MM & 20MM GLASS CLIP
4.		G13575	INTERLOCK	9.		G27AKP	ADDON PROFILE
5.		G35AOR	ADDON RAIL	10.		G27CAK	ADDON PROFILE CAP